



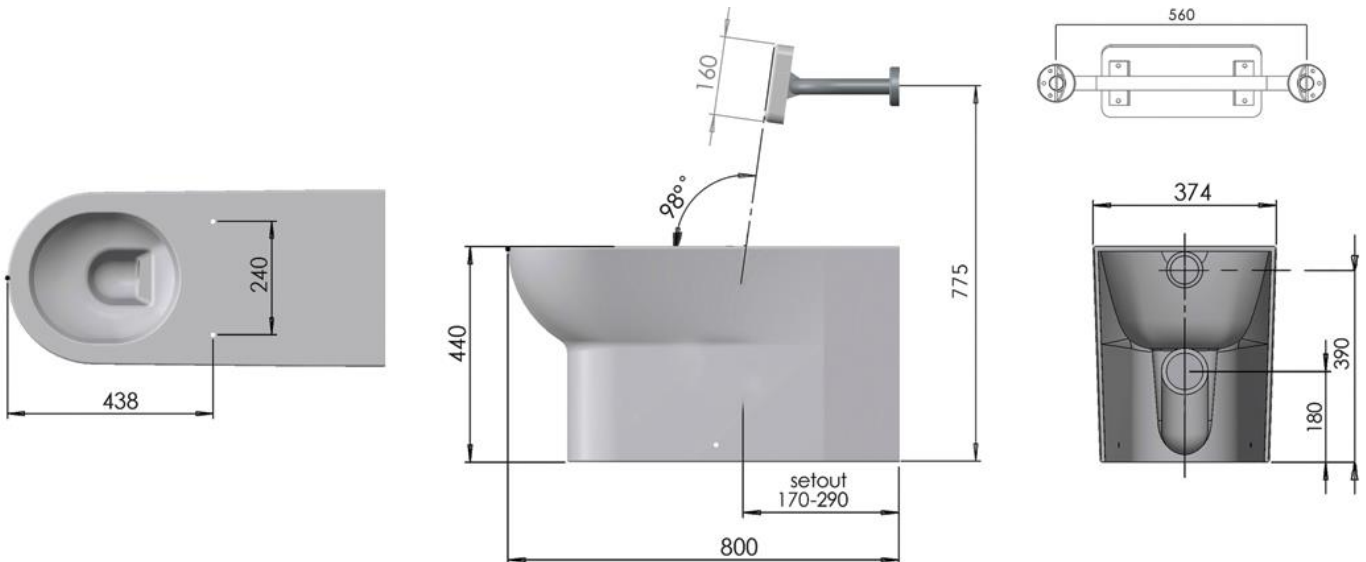
FEATURES

- 4 star WELS rating
- Concealed floor fixings
- Ceramic white pan

- WELS Registered Model Name – Big Comfort Care Pan
- WELS Registration Number – L05007
- WELS 4, 3.2L/min



to comply with the requirements for AS 1428.1:2009 the backrest MUST be installed in accordance with the standard with respect to height and strength of fixings.



meco international pty ltd.

meco.com.au

for all sales & product inquiries email sales@meco.com.au or call (02) 9618 6999

*all measurements are subject to accepted manufacturing tolerances. please check actual product dimensions prior to installation. meco international pty ltd reserves the right to change specifications at any time without giving prior notification.